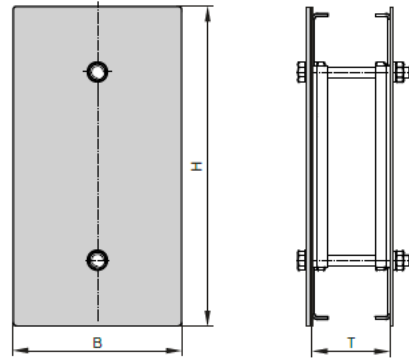
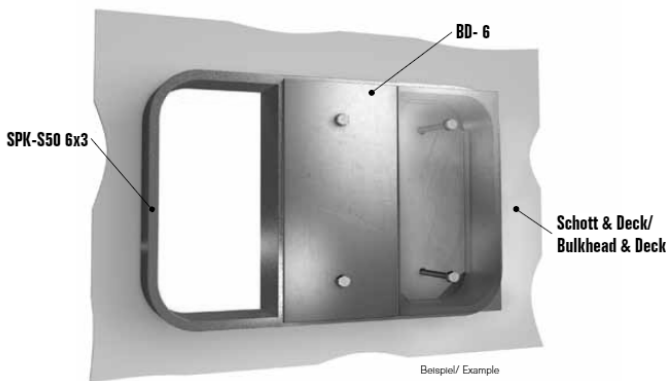




Blind Cover "GK BD" for GK Packing System Type "SPK" are used when no cables are installed in the packing sleeve. The GK BD can then be used to close off 'superfluous' sleeves without work involving heat. However, if cables or pipes need to be routed through subsequently, the GK BD is readily removed again, and the frame (120mm inside width and 60mm depth) can be used as usual with the GK Packing System. GK BD are approved for „A“ class steel/ aluminum divisions (bulk-head and deck). Approved for installation in divisions without gas and water tightness. Approved for Type SPK: -F; -S30; -S50; -F-R. GK BD can be supplied in a steel version. Can be installed from one side only. Detailed information about application and use according to actual certification.

Part No°	Description
GK000000260792	GK Blind Cover Type SPK size 4
GK000000260800	GK Blind Cover Type SPK size 6
GK000000260801	GK Blind Cover Type SPK size 8



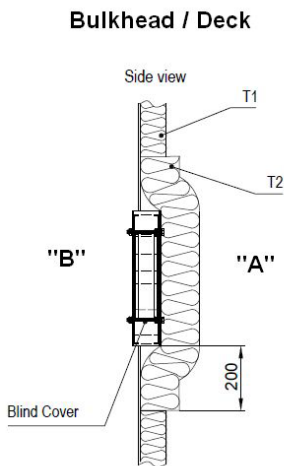
BD/ BD	Maße/ Dimensions			
	B	H	T	m [kg]
Blinddeckel Gr 4	128	183	60	1,4
Blinddeckel Gr 6	128	243	60	1,8
Blinddeckel Gr 8	128	303	60	2,3

Montage- und Isolier-Anweisungen sind zu befolgen, ggf. Projekt-Vorgaben beachten!

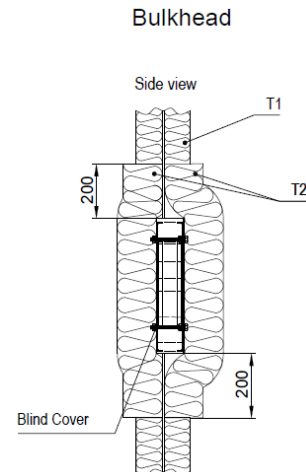
Please follow insulation instructions and ensure compliance with project specifications as necessary.

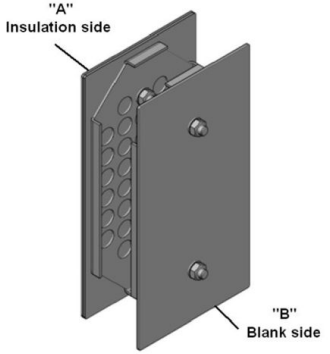
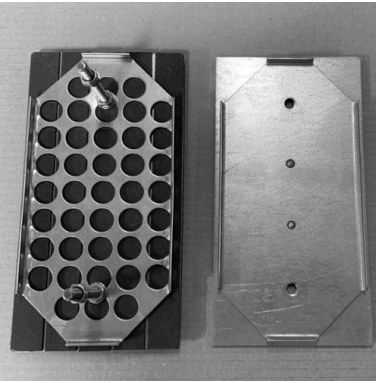
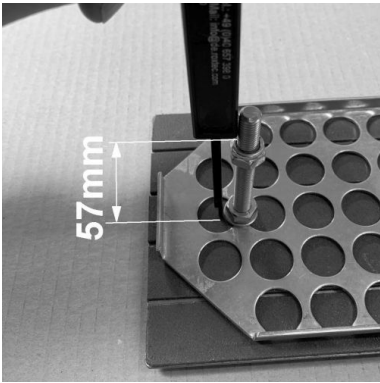
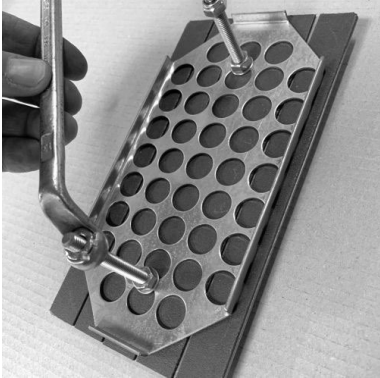


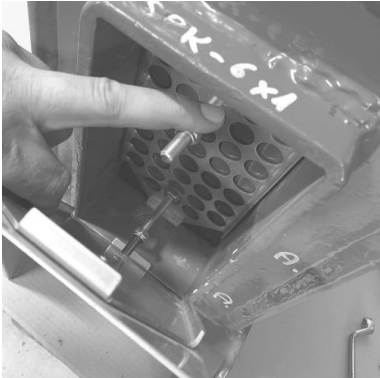
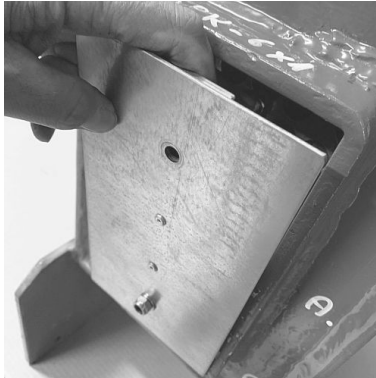

**Insulation instruction A-0 and A-60**  
Steel division and aluminum (only deck)

*Aluminum division*



Note :  
T1 = Insulation according to shipyard spec.  
T2 = A-60 class insulation



<p><b>1.</b></p>  <p>"A" Insulation side</p> <p>"B" Blank side</p>	<p><b>2.</b></p> 	<p><b>3.</b></p>  <p>57mm</p>
<p>GK Blind Cover have a side "A" and "B", place side "A" on insulation side</p>	<p>Dismount the GK Blind Cover before installation.</p>	<p>The distance between the nuts must be 57mm (Frame depth T=60mm).</p>
<p><b>4.</b></p> 	<p><b>5.</b></p> 	<p><b>6.</b></p> 
<p>If needed, adjust the distance to 57mm.</p>	<p>The side "A" cover is inserted diagonally through the GK packing frame ...</p>	<p>...and is placed flush with the back side of the transit. Hold the cover by hand...</p>
<p><b>7.</b></p> 	<p><b>8.</b></p> 	<p><b>9.</b></p> 
<p>...and add the side "B" cover by using the second bold and secure cover with a nut.</p>	<p>Now the second nut can be mounted, check position of the GK Blind Cover.</p>	<p>Tighten the nuts evenly until the cover side "A" &amp; "B" are flush to frame.</p>

**DISCLAIMER (For GK Packing System)**

The GK cable and pipe entry sealing system ("the GK Packing System") is manufactured by Roxtec. This GK Packing System is a modular based system of sealing products consisting of different components. Each and every one of the components is necessary for the best performance of the GK Packing System. It has been certified to resist a number of different hazards. Any such certification, and the ability of the GK Packing System to resist such hazards, is dependent on all components that are installed as a part of the GK Packing System. Thus, the certification is not valid and does not apply unless all components installed as part of the GK Packing System are manufactured by or under license from Roxtec ("authorized manufacturer"). Roxtec gives no performance guarantee with respect to the GK Packing System, unless (I) all components installed as part of the GK Packing System are manufactured by an authorized manufacturer and (II) the purchaser is in compliance with (a), and (b), below. (a) During storage, the GK Packing System or part thereof shall be kept indoors in its original packaging at room temperature. (b) Installation shall be carried out in accordance with GK Packing System installation instructions in effect from time to time. The product information provided by Roxtec does not release the purchaser of the GK Packing System, or part thereof, from the obligation to independently determine the suitability of the products for the intended process, installation and/or use. Roxtec gives no guarantee for the GK Packing System or any part thereof and assumes no liability for any loss or damage whatsoever, whether direct, indirect, consequential, loss of profit or otherwise, occurred or caused by the GK Packing System or installations containing components not manufactured by an authorized manufacturer. Roxtec expressly excludes any implied warranties of merchantability and fitness for a particular purpose and all other express or implied representations and warranties provided by statute or common law. User determines suitability of the GK Packing System for intended use and assumes all risk and liability in connection therewith. In no event shall Roxtec be liable for consequential, punitive, special, exemplary or incidental damages."