



B15-SPC Cable Plug Installation instructions

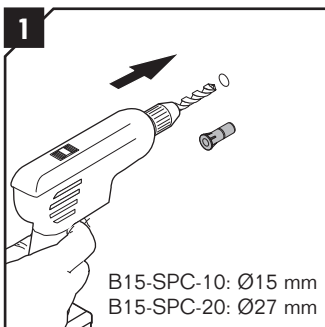
Application and validity:

Cable penetration type B15-SPC is approved for vertical and horizontal class division of fire ratings B0 and B15, without watertight or gastight sealing requirements. It can be used for single cables with a diameter of 0-10mm and 0-20mm, i.e. a drill hole can also be safely sealed without a cable. The installation side can be chosen at will. No lubricants or sealants are required. No additional fire protection insulation is required!
If a cable has already been laid through an opening, the B15-SPC cable plug can be divided by opening an inner notch and and mounted sideways over the cable.

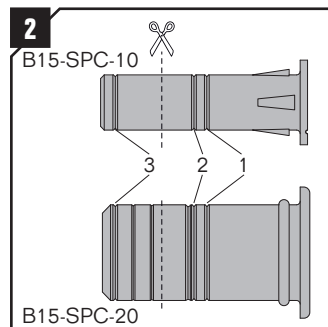
The cable plug type B15-SPC has been tested according to MSC.307(88)/ IMO 2010 FTP Code Part 3, Test for "A", "B" and "C" class divisions; 03.12.2010.

Current certificates must be taken into account and, where appropriate, the regulations of the flag state administrations must be observed. Applicable regulations and the state of the art must be followed by the installer. You can contact us at Tel. +49 40 65 73 98 0 or technic-germany@roxtec.com.

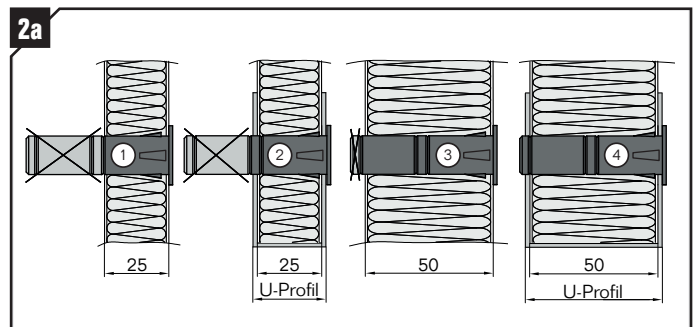
Installation



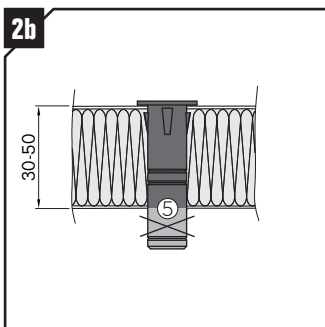
For cable penetration B15-SPC, make a perpendicular hole with the corresponding diameter (Ø15 / Ø27), if necessary remove the cutting burr.



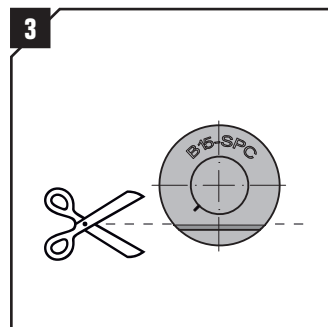
The length of the B15-SPC can be adjusted with a suitable tool prior to cable installation. A lengthwise cut is possible for already existing cables (step 6-8).



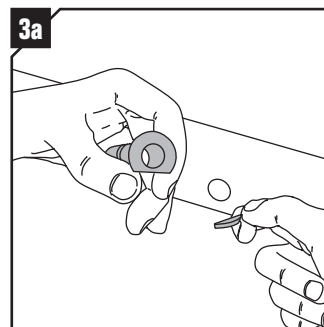
Wall installation: Adjust the length of the B15-SPC (Fig. 2) as shown in Fig. 2a. The cable entry is installed with or without a U-profile. The pre-cut notches act as a guide. The length can also be trimmed flush with the wall.

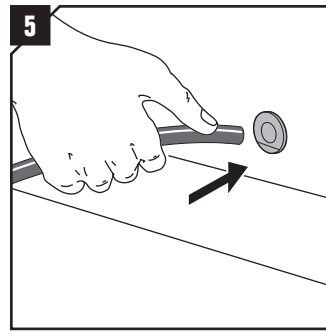
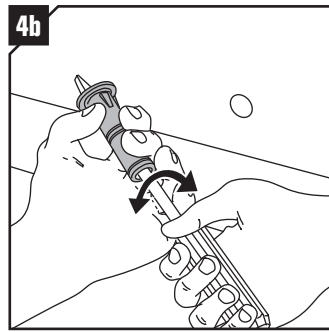
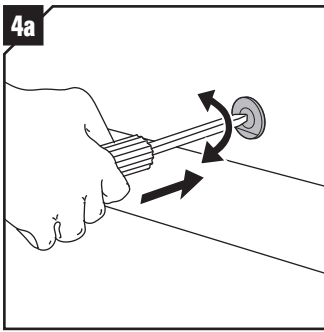


Ceiling installation: B15-SPC (Fig. 2) Adjust the length at the notches as shown in Figure 2b or install flush with the ceiling.



The B15-SPC cable penetration has a pre-punched flange which, when installed directly above the adjacent class division, can be adjusted without tools to allow the cable to pass through as deeply as possible.

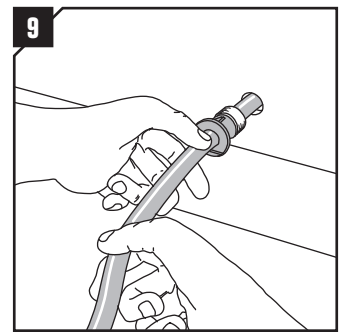
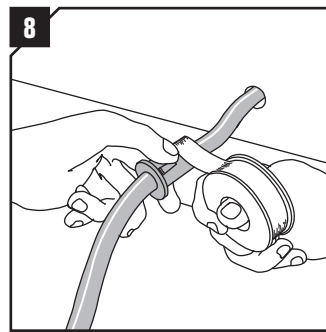
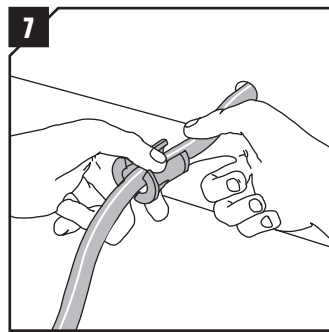
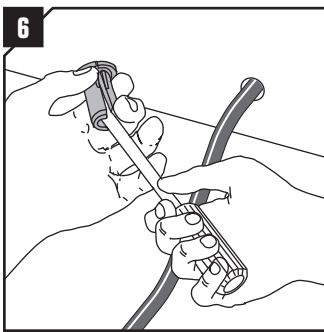




To ensure smoke gas -tightness, the B15-SPC cable penetration has a membrane inside, which is pierced using a suitable tool before the cable is installed to simplify cable installation. This can be carried out in the class division (4a) or before installation (4b).

The cable is now installed from the flange side, so that the B15-SPC cable plug cannot be pushed out of the class division.

Installation when cables are already fitted



If a cable has already been laid through an opening measuring $\text{Ø}15\text{mm}$ / $\text{Ø}27\text{mm}$, the B15-SPC cable plug can be divided by opening the inner notch and mounted lengthwise over the cable.

For easy installation, the split B15-SPC cable plug can be stabilised with two layers of PVC insulating tape after it has been attached to the cable. The cable plug is then mounted onto the class division.

Reinstallation

It is possible to remove B15-SPC cable plug at any time. It can be removed from the class division using a suitable tool. Care must be taken not to damage the cable. Always use a new B15-SPC cable plug to seal the cable or opening again!

Information about the guarantee and storage and installation instructions

Cable penetration B15 is manufactured by Roxtec GmbH ("Roxtec"). The B15 penetration has been certified for its resistance to various hazards and risks. Despite the appropriate certification, the resistance of the Cable penetration B15 to hazards and risks is dependent on proper installation according to the instructions provided by Roxtec. Roxtec and the member companies of the Roxtec Group accept no liability for defects in relation to the Cable penetration B15 resulting from improper storage, poor maintenance, incorrect use or deviation from the installation instructions issued by Roxtec or the Roxtec Group or otherwise incorrect installation or modifications and repairs made without the prior written consent of Roxtec. The B15 penetration must be stored indoors in its original packaging at room temperature. Installation must be carried out in accordance with the installation instructions issued by Roxtec or member

companies of the Roxtec Group that currently apply to the Cable penetration B15. The product information provided by Roxtec or member companies of the Roxtec Group does not release the buyer or user of the Cable penetration B15 from his obligation to determine the suitability of the products for a specific process or a specific installation and/or use. In this regard, the buyer or user bears all risks and accepts all liability.

Manufacturer:



Roxtec GmbH
 Neuer Höltingbaum 1-3, 22143 Hamburg, Germany
 TEL + 49 40 657398-0, FAX + 49 40 657398-50/51
 EMAIL info@de.roxtec.com, www.roxtec.com/de